



2025 RULEBOOK

Miss Rodeo Texas Association, Inc.
8452 Fredericksburg Rd. #302
San Antonio, TX 78229
www.missrodeotexas.com

ALL RIGHTS RESERVED

MRT Inc. Reserves the right to modify or revise these rules at any time upon reasonable notice.

No part of this book may be reproduced or transmitted in any form or by any means, electronic or mechanical, including photocopying, recording, or by any information storage and retrieval system without the express written consent of Miss Rodeo Texas Association, Inc.

Table of Contents

Mission Statement	4
About Miss Rodeo Texas	4
History of the Miss Rodeo Texas Pageant	4
Who is Miss Rodeo Texas?	5
What type of young lady does the Miss Rodeo Texas competition attract?	5
MISS RODEO TEXAS PAGEANT	6
Eligibility Requirements	6
Pageant Requirements/Rules	7
Judged Events	9
Judging Guidelines	10
Judges	10
Miss Scoring Criteria	11
Top Two Finalists and Winners	11
Category and Award Winners	12
Awards and Award Presentation	12
Pageant Categories	12
Horsemanship	12
Miss Pattern	14
Personality	15
Appearance	16
Dress Code	16
Dress Code by Event	17
Other (Knowledge & Presentation)	17
Miss Entry Requirements Checklist	18
MISS RODEO TEXAS TEEN PAGEANT	21
Eligibility Requirements	21
Pageant Requirements/Rules	22
Judged Events	24
Judging Guidelines	25
Judges	25
Teen Scoring Criteria	26
Top Two Finalists and Winners	26
Category and Award Winners	27
Awards and Award Presentation	27
Pageant Categories	27
Horsemanship	27
Teen Pattern	29

Personality	30
Appearance	31
Dress Code	31
Dress Code by Event	32
Other (Knowledge & Presentation)	32
Teen Entry Requirements Checklist	33
MISS RODEO TEXAS PRINCESS PAGEANT	36
Eligibility Requirements	36
Pageant Requirements/Rules	37
Judged Events	39
Judging Guidelines	40
Judges	40
Princess Scoring Criteria	40
Top Two Finalists and Winners	41
Category and Award Winners	42
Awards and Award Presentation	42
Pageant Categories	42
Horsemanship	42
Princess Pattern	44
Personality	45
Appearance	46
Dress Code	46
Dress Code by Event	47
Other (Knowledge & Presentation)	47
Princess Entry Requirements Checklist	47
Program Book Ads	51
Family and Guests	52
Expectations of Titleholders	53
Loss of Title and Benefits	53
Grievance Policies	54
Pageant Grievance	54
General Grievance	55
Study Resources	57

Mission Statement

To provide a quality state pageant, maintaining an environment where contestants, participants and committee members will be enriched by the experience of the pageant. To provide scholarships for educational opportunities. To support the queens as they represent Texas, our Western Heritage, the sport of professional rodeo, the western apparel industry, and as they model goodwill and integrity for the youth of Texas.

About Miss Rodeo Texas

A Texas tradition of over six decades, the selection of Miss Rodeo Texas is based on horsemanship, appearance and personality competition with other finalists from across the great state of Texas. Since the inception of the Miss Rodeo Texas Pageant, Miss Rodeo Texas has served as vibrant, colorful Goodwill Ambassadors of Rodeo, the Official Sport of Texas, working closely with professional rodeos and rodeo associations to keep our western heritage and the western industry alive and flourishing in today's society.

During her reign, Miss Rodeo Texas will travel all over the state encouraging Texas youth to remember the impact that our rich western heritage has had on the development of our state and to educate everyone about the contributions of Texas agriculture in our everyday lives.

History of the Miss Rodeo Texas Pageant

The Miss Rodeo Texas Pageant is a rich, long-standing tradition that began in 1963 according to known records. The annual pageant has been held in Wichita Falls, Stephenville, Fort Worth, and presently San Antonio. The young lady crowned Miss Rodeo Texas represents our great state in the Miss Rodeo America Pageant held every year in Las Vegas in conjunction with the National Finals Rodeo each December.

In 1973, the Miss Rodeo Texas Teen Pageant was added allowing young ladies, ages 13 to 17, aspiring to be a rodeo queen the opportunity to start at an earlier age. Along the same lines, the Miss Rodeo Texas Princess Pageant was included in 2002 for girls from the age 9 to 13. Over the years, the age requirement for each division has changed to align with the Miss Rodeo America Pageant, and what was thought to be best for the contestants.

Young ladies come from every corner of our state to compete for their respective crown during the annual pageant held each June. The Miss Rodeo Texas Board of Directors, Ambassadors, and Pageant Committee work year-round to provide an excellent

pageant that gives away approximately \$50,000 in scholarships and awards to the winners and contestants.

Who Is Miss Rodeo Texas?

Miss Rodeo Texas is a young woman who strives to promote the State of Texas and the sport of rodeo, and in so doing, promotes the western heritage of Texas. She is a talented, personable horsewoman with a vast knowledge of the sport of rodeo, the equine and cattle industries, and the state of Texas. She is a young woman who enjoys travel and has a sincere interest in garnering educational experiences for young and old, which will assist in laying a solid foundation for the future of Miss Rodeo Texas and the western heritage Texas holds dear.

What type of young lady does the Miss Rodeo Texas competition attract?

The young lady who wishes to be a leader in her community, and further promote the western way of life on a local and state basis.

The girl who loves horses, the western way of life, rodeo and everything they represent, and who wants to show the rest of the world what can be accomplished while surrounded by this environment.

The young lady who wants to act as an official representative of professional rodeo, portraying good sportsmanship and high moral and ethical character, and reflecting careful and humane treatment of animals. She should understand the sport of rodeo in its entirety, enough to be able to explain and "sell" rodeo to anyone she may come in contact with, and be able to speak intelligently, with dignity and sincere interest in rodeo. She should realize that the Miss Rodeo Texas Pageant is not a "beauty" pageant. However, she should act, speak and dress according to the prestige that the title deserves.

Miss Rodeo Texas Pageant

Eligibility Requirements *(to be signed as part of the pageant application)*

1. **Age:** I will be 21 years of age by November 1 of the MRT Pageant year and I will be no older than 26 years of age by December 31 of the Pageant year. I will provide a copy of a government issued identification (such as a birth certificate, driver's license, passport, etc.) verifying my age.
2. **U.S. Citizen:** I am a citizen or lawful resident of the United States of America and authorized to work in the United States of America.
3. **Resident of State:** I am a resident of the State of Texas and have been for at least one year by the first day of the current year's Miss Rodeo Texas Pageant.
4. **Education:** Miss - I have obtained a high school diploma (or equivalent) and will provide proof thereof upon request.
5. **Gender:** I was assigned female at birth, and I am female.
6. **Marital Status:** I am not currently married, have never been married, nor had a marriage annulled. I will not get engaged during my term as Miss Rodeo Texas.
7. **Parental Status:** I am not a parent of any child and I am not pregnant nor will I become pregnant during my term as Miss Rodeo Texas.
8. **Good Character:** I am of good moral character. I have never committed or been involved in an act of moral turpitude.
9. **No Criminal Record:** I have not been convicted of any felony or misdemeanor crime (excluding minor traffic offenses). I agree to allow MRTI to run a background check.
10. **Health:** I am in good health and I do not have any health concerns which would prevent me from fully participating in this contest or from serving as Miss Rodeo Texas if selected.
11. **Substance Abuse:** I do not use any illegal or controlled substances (other than prescription medications and then only in the manner prescribed). I do not abuse alcohol or drugs.
12. **Contractual Obligations:** I am not under any contractual obligation which would interfere with my ability to participate in this contest or interfere with my ability to perform as Miss Rodeo Texas, if selected.

13. No other Competitions: If selected as Miss Rodeo Texas, I will not compete in any other pageant of any kind during my term other than the Miss Rodeo America Pageant.

14. No Previous Miss Rodeo America Competitions: I have not been a contestant in any prior year's Miss Rodeo America Pageant.

15. No Other Acts Detrimental to Reputation: I have not engaged in any act, which if made public, would be reasonably likely to cause harm or damage to my reputation or to the goodwill and reputation of Miss Rodeo Texas, Inc. (If I have any concerns about the applicability of this provision, I acknowledge I have been advised to discuss this with the Miss Rodeo Texas State Director prior to signing this form.)

16. Ability to Perform: To the best of my knowledge, there is nothing that will interfere with my ability to compete in this contest or to perform the obligations of Miss Rodeo Texas, if selected.

****Note: Any contestant not meeting the eligibility requirements set forth above shall be denied the right to compete in the Miss Rodeo Texas Pageant.*

Pageant Requirements/Rules

1. Submit official application, including Eligibility Requirements and Participant Release Form, online through the Miss Rodeo Texas website no later than May 1.

2. Have executed all consents, waivers and/or agreements presented as conditions precedent to competition.

3. Submit all other required documentation such as proof of age, proof of residency, latest school transcript, and W-9. Must be submitted online at the same time as the application.

4. Submit a vertical head and shoulder photograph using a plain background no later than May 1. Picture must include hat, and crown if received for the title you are representing. Banner is optional. The photo must be formatted as a 5x7, 300 dpi, jpeg file.

5. Send a photo release at the same time your photo is submitted. May be uploaded on the Miss Rodeo Texas website at the same time as the application and other supporting documents or emailed to MRTPageantDirector@gmail.com.

6. Remit entry fee payment. If paying by credit card online, payment must be made by May 1. If sending a check, it must be postmarked by May 1. The entry fee covers the

contestant's meals during the pageant, hotel room, and the publishing of their picture and bio in the program book.

7. Sell a minimum of two (2) pages in advertisements for the official pageant program book. Ad forms, payment, and electronic ads must be received by the specified deadline. See Program Ad section of the Rulebook for additional requirements that must be followed. Contestant will receive 20% back on any amount sold over the required two (2) pages.

8. Sell a minimum of 100 donation tickets. A minimum of \$500 (100 tickets at \$5 each) must be turned-in when contestants check-in on the first day of the Pageant. Returned tickets from the initial 100 tickets sent does not take place of the minimum \$500 requirement.

9. Submit horsemanship videos no later than the specified deadline as shown in the Miss Rodeo Texas Entry Requirement Checklist section of this Rulebook.

10. Be representing a local pageant or local sponsor. (No commercial entries are allowed; example – Miss Rodeo Boot Barn. You can, however, create a title from a local sponsor; example - Miss Rockin R Ranch)

11. Use standard white satin banners with black lettering purchased from Archer Monograms (see Entry Requirements Checklist for more details). Tell them you are competing at the Miss Rodeo Texas Pageant and they will help you order appropriately.

12. Must stay at the host hotel under the supervision of pageant chaperone(s). There will be two contestants per room if there is an even number. If there is an odd number, one contestant may room by themselves, with a Teen contestant, or with an outgoing queen. Room arrangements will be made after all applications are received and room assignments will be given out during registration the first day of the pageant.

13. Must remain under pageant chaperone supervision from the time of registration on day one of the pageant until at least 8AM on Saturday morning and no later than 11AM (time subject to change; will be announced at orientation). Prior to departure, chaperones will complete a room check and formally release you. DO NOT leave without being released by your chaperone.

14. Must register at the designated time and location of the host hotel as shown on the pageant schedule posted on the Miss Rodeo Texas website.

15. Ride to-and-from off-site functions in the transportation secured by MRTI for the pageant.

65. No cell phones are allowed during the pageant. Hotel telephones in contestant rooms will be removed or disabled.

17. Contestants are required to pay their own transportation expenses to and from the Pageant.

18. Judging will take precedence over all other Pageant activities therefore the schedule is subject to change as needed.

****Note: Any contestant not meeting the pageant requirements/rules set forth above shall be denied the right to compete in the Miss Rodeo Texas Pageant.*

Judged Events

1. **Horsemanship:** All horses and tack will be provided for the horsemanship competition. Each contestant will draw two (2) horses to ride; one (1) for rail work and one (1) for the pattern furnished by the Miss Rodeo Texas Pageant. No one will be allowed to ride the same horse in both rounds. Spurs are not allowed. Judges will answer any questions prior to the start of the Horsemanship competition. The required pattern for the horsemanship competition is shown in the Pageant Categories section of this rulebook. Contestants will also be judged on a horsemanship video submission as described in the Pageant Categories section. Banners are not required in the video; crowns are optional but encouraged if you have one for the title you are representing. A minimum of 10 points will be deducted from each judge's score for a broken pattern during the horsemanship competition at the pageant. An example of a broken pattern is turning in the wrong direction or failing to back up. A missed lead is not considered a broken pattern.

2. **Extemporaneous Speech:** Each contestant is required to give an extemporaneous speech. Contestants will be sequestered in order to not give away the speech topics. Each contestant will select ONE (1) of three (3) topics and have ten (10) minutes to prepare and one-and-a-half (1.5) minutes to present the speech. Judging is based on content, delivery and the time allotted for the presentation. Contestants will receive a 30-second warning prior to time expiration and be notified of time expiration. Contestants should stop immediately at the expiration notification or a minimum of 10 points will be deducted from each judge's score for the extemporaneous speech.

3. **Extemporaneous Questions:** An array of questions will be asked of each contestant during various pageant functions. Questions may relate to the sport of professional rodeo, agriculture, current events, personality, appearance, horses/horsemanship,

and/or anything else deemed appropriate by the Pageant Director and/or Judges.

4. **Interviews:** Contestants will participate in three (3) interviews during the pageant. The horsemanship interview will test the contestant's knowledge on topics such as tack, horse care, diseases, anatomy, rodeo terminology, the PRCA, the WPRA, and more. The general interview will consist of any non-horsemanship/rodeo questions including but not limited to current events, appearance, personal information related to submitted applications, etc. The group interview will include all contestants in the Miss division and is open to any questions or activities deemed appropriate for a group setting. Interviews will be monitored by pageant staff to ensure the integrity of all involved.

5. **Modeling:** Contestants will model three personal outfits and fashions provided by outside vendors during the fashion show. Detailed information on required outfits is included in the Wardrobe Requirements section.

6. **Photogenics:** Photographs of each contestant will be taken by the official pageant photographer during the pageant then judged for the Photogenic award.

Judging Guidelines

Miss Rodeo Texas is judged in four categories, all of which are equal: Appearance, Personality, and Horsemanship, and Other (Knowledge and Presentation). The scores from contestant's public speaking, interviews, extemporaneous speech, introductions, fashion show presentation, written test, etc., will be added to the appropriate categories.

Judges

1. Judges are selected for their expertise in all fields of the competition.
2. Four judges will judge all categories of the Pageant. All four scores will be totaled for each contestant every time they are judged.
3. All decisions of the judges are final.
4. MRT will institute appropriate standards for judges to ensure that all judges are impartial and have an appropriate level of expertise in all categories.
5. MRT Chairman of the Board and MRT State Director shall have the final decision as to the selection of the judges for the MRT Pageant.

In the event of any dispute concerning the decision of the judges, such dispute shall be settled by the MRTI Executive Board. The review of any dispute shall be limited to determining if the judges acted in good faith, impartially, and in accordance with the applicable rules. If any judge is found to have acted in violation of these rules the MRTI Executive Board, in their discretion, may remove such judge and may take any other

remedial action they deem appropriate. All decisions of the MRTI Executive Board are final.

Miss Scoring Criteria

Points will be awarded to contestants in the major categories of Personality (320 total points per judge), Appearance (320 total points per judge), Horsemanship (320 total points per judge) as well as Other which includes knowledge, presentation, and content & delivery (320 total points per judge). Additional points for Photogenic (50 points total) and the Written Test (200 points total) will be awarded.

Point Category	Appearance	Personality	Horsemanship	Other	Event Total by Judge
Event					
Contestant Introduction & Question	20	20		20	60
Luck of the Draw Question	20	20		20	60
Horsemanship Video			30		30
Horsemanship Railwork	30	20	60		110
Horsemanship Pattern		20	100		120
Horsemanship Interview	30	30	100		160
Impromptu Speech	30	30		100	160
Personal Interview	30	60		60	150
Horsemanship/Rodeo Question	20	20	30	10	80
Group Interview	30	30		20	80
Fashion Show	70	30		50	150
Current Event	20	20		20	60
Media Interview	20	20		20	60
Total Event Points	320	320	320	320	1280*
# of Judges	4	4	4	4	5120
Photogenic					25*
# of Judges				2	50
Written Test					200
Total Overall	1280	1280	1280	1280	5370

* points per judge per contestant

Top Two Finalists and Winners

Prior to the Coronation performance, all scores will be tabulated. The two contestants receiving the highest cumulative scores will be acknowledged as the Top 2 in random order during Coronation. Scores will be wiped clean and each contestant will be ranked one (1) or two (2). The contestant with the most one (1) rankings will be crowned Miss Rodeo Texas. If there are only 3 contestants in the division, all will be acknowledged and answer final questions but only the top two will be considered for the title.

Scoring ties in Appearance, Personality, Horsemanship, Speech, Test and Photogenic will be broken by referring to the highest overall score in Horsemanship. That score will

break the tie. If a tie still remains, the horsemanship score of Judge #1 will be used, then Judge #2, and so on until the tie is broken. A tie for Miss Congeniality will be broken by a second balloting by contestants.

Category and Award Winners

The major category winners - horsemanship, personality, and appearance - shall be determined by the total scores in those categories (as shown in the scoring criteria table above) prior to the beginning of the top two competition during coronation. The subcategory award winners - photogenic, written test, and speech - shall also be determined by the total scores in those categories prior to the beginning of the top two competition during coronation. The subcategory award winner - congeniality - will be awarded to the contestant receiving the most votes from their fellow contestants in the same age division.

Awards and Awards Presentation

Prizes will be awarded to major category and subcategory winners. A complete list of awards given at the pageant is listed in the official MRT Pageant Souvenir Program Book. All prizes awarded to Miss Rodeo Texas or any MRT Pageant participant, awarded by any party other than MRTI are subject to change without notice. Additionally, any prizes awarded by any third party may be subject to additional eligibility requirements beyond those set forth in these rules.

The scholarship is given on a basis of merit and overall representation of the title. If the titleholder does not comply with the Miss Rodeo Texas Association, Inc. Personal Services Contract and Scholarship Rules, she will forfeit her scholarship.

All prize winners MUST attend the Awards Distribution on Saturday morning during the specified time shown on the pageant schedule. At this time, contestants will take pictures with their awards, sign documentation from pageant personnel showing the prizes received, and take them home. Prize winners MUST wear their full coronation attire with hair and makeup done appropriately. Should a contestant not attend, or not be dressed as specified, she will automatically forfeit her award(s) and/or scholarship(s).

Pageant Categories

HORSEMANSHIP

The purpose of this judged category is to select the young lady who executes precision in horsemanship including control of mount and the way she handles any situation

which may occur, balance and her ability to sit a saddle, positions of hands and feet, mounting and dismounting, confidence, appearance, and awareness of audience. The contestant's understanding and skill will be judged, not the horse or the equipment. The MRT Pageant will provide the horses and all tack/equipment used during the horsemanship competition. Spurs are not allowed to be used. There will be two go-rounds of horsemanship competition. As in rodeo, there will be a draw for the contestants' order of competition and a draw for each contestant's mount. No contestant will ride the same horse in both go-rounds. The first round will consist of railwork and the second round will consist of completing the required pattern as shown below.

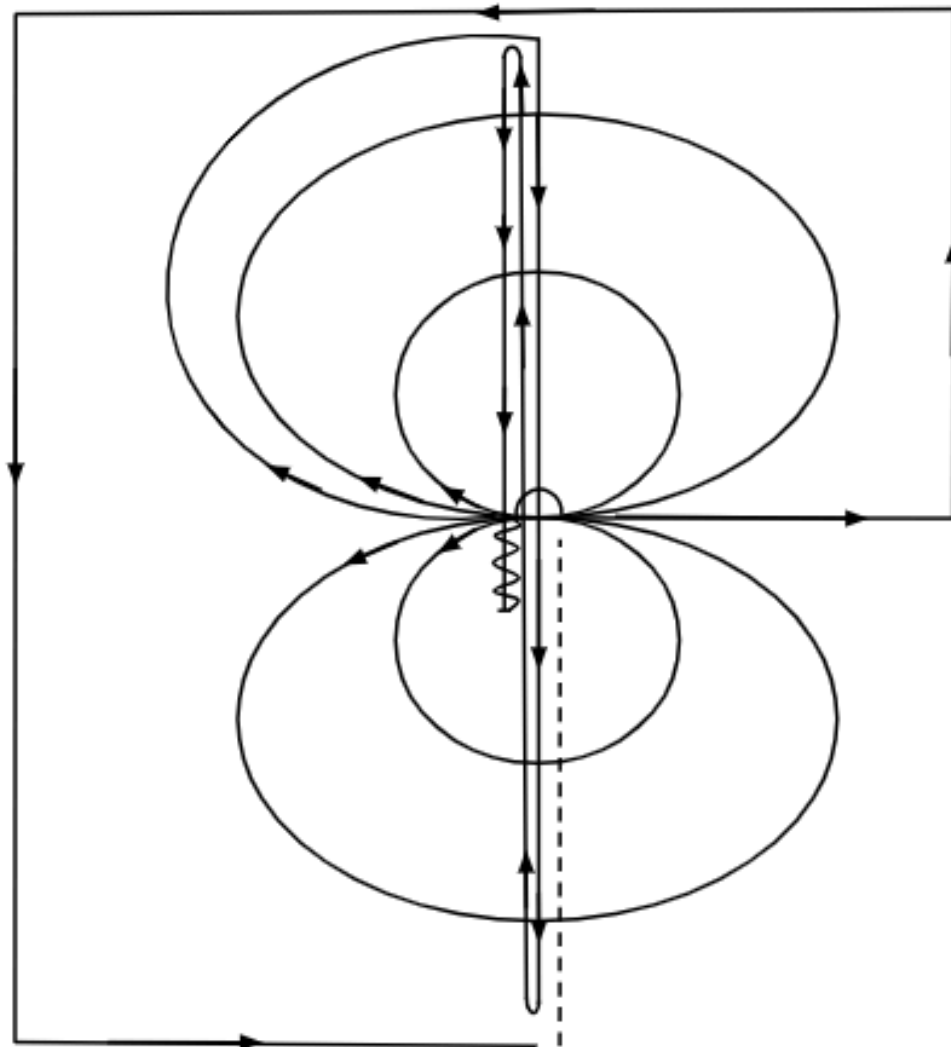
The contestant's overall equitation, poise, confidence, appearance, and position throughout both rounds will be evaluated. Contestants and their advisors who seek additional guidance regarding their horsemanship presentation, are referred to the [AQHA Rulebook](#), Section SHW434 "Presentation and Position of Exhibitor."

The MRT Pageant judges reserve the right to make alterations and/or additions to these instructions. Judges may, at their discretion, deduct points or disqualify from competition any contestant if they see trainers, family members, or friends coaching contestants from the side.

Horsemanship Round 1: For the first round, contestants will be judged during railwork at gaits requested by the judges, as well as maneuvers such as reversing, backing, stopping, etc.

Horsemanship Round 2: For the second round, contestants will complete the horsemanship pattern as illustrated below. At the Judges' discretion, patterns may be altered due to arena conditions. The judges will discuss any and all pattern alterations with the contestants. In addition to executing the prescribed pattern, contestants may also be required to dismount and remount, carry a flag, and/or perform additional maneuvers on horseback. The reigning Miss Rodeo Texas will demonstrate the pattern, including any alterations and additions, prior to the start of the horsemanship competition.

Miss Pattern



1. Trot to center of arena
2. Stop and make a 90 degree turn to the left
3. Begin two figure 8's with flying lead changes. Starting to the left. This first should be small and slow, the second larger and faster.
4. After completing your large fast figure eight continue around to the top of the circle then run down the middle to the far end of the arena and do a right rollback
5. Run up the middle to the opposite end of the arena and do a left rollback
6. Run past the center and come to a stop. Back up to the center of the arena
7. Complete a 270 degree ($\frac{3}{4}$) turn to the right
8. Depart on the left lead and continue around the arena for your queen run/wave.
9. Stop at the gate. Pattern Complete

In addition to the points received from the two rounds of on-site horsemanship, points from the horsemanship video, horsemanship interview, and horsemanship/rodeo impromptu question at a designated time during the pageant will be added to the horsemanship category.

Horsemanship Video: Contestants must complete a freestyle pattern within one-and-a-half minutes using the following elements:

- A. Mount and Dismount
- B. Walk, trot, and lope gaits
- C. Lead change in a figure 8
- D. Stop
- E. Back

This video MAY also be used for judging purposes should there be any unforeseen issues during the on-site horsemanship competition at the Miss Rodeo Texas Pageant.

It is suggested that the pattern be filmed on the outside rail at the midway point of the arena (where judges normally sit/stand).

This video must be submitted by MAY 15th online at www.MissRodeoTexas.com or emailed to MRTPageantDirector@gmail.com. Send in a MOV file labeled as Follows:

- Freestyle Division Contestant's Last Name – *example:* Freestyle Miss Hickok

Horsemanship Interview: An individual ten (10) minute interview to test the contestant's knowledge on topics such as tack, horse care, diseases, anatomy, rodeo terminology, the PRCA, the WPRA, and more.

Rodeo/Horsemanship Impromptu Question: At a designated time during the pageant, contestants will answer a rodeo or horse related question.

Details for points in this category are shown in the Miss Scoring Criteria section of this rulebook.

PERSONALITY

The purpose of this category is to select the young lady:

1. Whom exudes intelligence, can maintain an educated conversation in rodeo, agriculture, and current events, as well as show a genuine concern and interest in others.
2. Whom radiates self-confidence and can perform under pressure.

3. Whom is sincere and maintains a high moral standard.
4. Whom reflects her personality in her style of attire, her overall appearance, posture, and presence whether it be from horseback in an arena, on television, or before an audience.
5. Whom demonstrates a sense of humor, showmanship, ambition, desire, and enthusiasm, all while maintaining a positive outlook on life.
6. Whom makes following schedules a priority.
7. Whom willingly and politely follows directions and is flexible to make adjustments as necessary.
7. Whom is mindful at public appearances to speak to an audience with facts and interesting information about her hometown, state, title, etc.
8. Whom demonstrates the ability to think on her feet, with a sense of wisdom and imagination.
9. Whom reflects poise, dignity, and professional behavior in every situation.

Details for points in this category are shown in the Miss Scoring Criteria section of this rulebook.

APPEARANCE

The purpose of this category is to select the young lady:

1. Whom takes pride in their appearance through neatness and cleanliness.
2. Whom has the utmost understanding of proper western dress.
3. Whom follows the dress code and wardrobe requirements for the pageant. The penalty for violations will be at the discretion of the judges.
4. Whom is knowledgeable on current trends in western wear manufacturing and Miss Rodeo Texas apparel sponsors.
5. Whom demonstrates versatility and imagination in their wardrobe. It is not necessary to invest in an extensive amount of expensive clothing. Contestants are encouraged to mix-and-match and/or use her fashion show dress for coronation.

Dress Code

1. *Sleeve Length:* No sleeves shorter than three-quarter ($\frac{3}{4}$) length.

2. *Dress/Skirt Length*: Dresses and skirts must be no shorter than three (3) inches above the knee.

3. *Crown*: If a contestant has a crown for the title she is representing at the pageant, she should wear the crown for competition.

4. *Banner*: All contestants must wear a "Title Banner" which the contestant must furnish. Sash(es) must be white satin with black embroidered letters. The banners must be four (4) inches wide and thirty (30) inches long and purchased from Archer Monograms, 4842 W. Moonlake Dr, Meridian, ID 83646. For questions, pricing, and ordering, call (888) 441-3689 or email sales@archermonograms.com. Be sure to tell them it is for the Miss Rodeo Texas Pageant so they will use the correct lettering and set-up. Your check or money order must accompany the order. Please allow four (4) weeks for delivery.

5. *Belt*: All outfits must include a belt.

6. *Cowboy Hat*: All outfits must include a cowboy hat. Your hat should be clean and well-shaped.

7. *Cowboy Boots*: All outfits must include cowboy boots. Your boots should be clean and polished.

Important Notes Regarding Dress Code

- The same outfit may be worn more than once without being penalized by the judges.
- It is not acceptable to wear midriff or low-cut clothing.
- Judges may deduct points if any of the dress code rules are broken.

Dress Code by Event

See [Miss Rodeo Texas 2025 Pageant Events and Wardrobe Requirements](#)

Details for points in this category are shown in the Miss Scoring Criteria section of this rulebook.

OTHER (KNOWLEDGE & PRESENTATION)

The purpose of this category is to encompass all aspects of the competition related to knowledge and presentation, with the exception of the horsemanship interview which is counted in the horsemanship category (see scoring criteria table above for details).

Knowledge - Well-studied, understands, and can convey information on rodeo, equine, animal welfare, agriculture, current events, and more. A non-exhaustive list of topics and study materials are included in the Additional Resources section of this rulebook.

Presentation - The ability to handle all situations with poise and presence, preparedness for events, self-control, and confidence while speaking in public and while interacting with others.

Details for points in this category are shown in the Miss Scoring Criteria section of this rulebook.

Miss Entry Requirements Checklist

Entry Deadline – May 1

General Requirements: *Must be submitted AT THE SAME TIME online at www.missrodeotexas.com:*

For the \$500 early bird special entry fee, all items in this section must be received by April 1st.

- _____ 1. Completed application including Eligibility Requirements and Participant Release Form (must be initialed, signed, and uploaded online)
- _____ 2. Proof of residency (examples: driver's license, school ID, utility bill with name and address)
- _____ 3. Proof of age (examples: birth certificate or driver's license)
- _____ 4. Latest copy of a school transcript
- _____ 5. W-9 completed and signed by contestant

Entry Fee:

For the \$500 early bird special entry fee, payment must be received by April 1st.

- _____ 6. \$500 if paid by April 1st; \$550 if paid between April 2nd and May 1st – The entry fee includes the contestant's meals during the pageant, hotel room, and the publishing of their picture and bio in the program book. The entry fee can be mailed or paid online. Online payments include a 3% convenience fee. Mailed checks must be made out to Miss Rodeo Texas, include the contestant's name and division in the memo line, and be postmarked no later than April 1st for the early bird special or May 1st for the required deadline. Mail payment to Miss Rodeo Texas, 8452 Fredericksburg Rd. #302, San Antonio, TX 78229.

Photo and Photo Release: *Must be submitted AT THE SAME TIME online at www.MissRodeoTexas.com or emailed to MRTPageantDirector@gmail.com.*

These DO NOT have to be received by April 1st for the early bird special.

- _____ 7. Vertical head and shoulder photograph using a plain background – Picture must include a hat, also a crown if you received one for your title. Banner is optional. The photo must be formatted as a 5x7, 300 dpi, jpeg file.

_____ 8. Photographer release

****Program Ads and Donation Tickets:**

_____ 9. Sell a minimum of two (2) pages in advertisements for the official pageant program book and submit the ad form, money, and electronic ad by the specified deadline. The contestant will receive 20% back on any amount sold over the required two (2) pages. Please see the Program Ad page for more information. Program ad payments can be mailed or paid online. Online payments include a 3% convenience fee. Mailed checks must be made out to Miss Rodeo Texas, include the contestant's name and ad name in the memo line, and be postmarked no later than May 15th. Mail payment to Miss Rodeo Texas, 8452 Fredericksburg Rd. #302, San Antonio, TX 78229.

DEADLINE MAY 15 – NO AD GRAPHICS WILL BE ACCEPTED AFTER THE DEADLINE. PAYMENTS MUST BE MADE ONLINE OR POSTMARKED NO LATER THAN THE DEADLINE. FAILURE TO FOLLOW THESE RULES WILL RESULT IN THE AD NOT COUNTING TOWARD MINIMUM AD REQUIREMENTS AND NOT BEING INCLUDED IN THE PROGRAM BOOK.

_____ 10. Sell a minimum of 100 donation tickets. A minimum of \$500 (100 tickets at \$5 each) must be turned-in when contestants check-in on the first day of the Pageant. Returned tickets from the initial 100 tickets sent does not take place of the minimum \$500 requirement.

****Note:** The TOP SALES AWARD will be determined by the TOTAL money turned-in by each contestant for program book ads and donation tickets combined.

Horsemanship Videos:

These videos must be submitted by MAY 15th online at www.MissRodeoTexas.com or emailed to MRTPageantDirector@gmail.com. Send in separate MOV files labeled as follows:

- Freestyle Division Contestant's Last Name – *example:* Freestyle Miss Hickok
- Highlight Reel Division Contestant's Last Name – *example:* Highlight Reel Teen Woodward

_____ 11. Freestyle Horsemanship Video – Contestants must complete a freestyle pattern within one-and-a-half minutes using the following elements:

- A. Mount and Dismount
- B. Walk, trot, and lope gaits
- C. Lead change in a figure 8
- D. Stop
- E. Back

This video MAY be used for judging purposes should there be any unforeseen issues during the horsemanship competition at the Miss Rodeo Texas Pageant.

It is suggested that the pattern be filmed on the outside rail at the midway point of the arena (where judges normally sit/stand).

_____ 12. Horsemanship Highlight Reel – Contestants must submit a 30-second video of your horsemanship discipline such as western pleasure, barrels, poles, breakaway, cutting, reining, endurance, riding in the pasture, etc.

- Video must be filmed or edited in the vertical format as seen on Instagram Reels.
- This video is for you to highlight your horsemanship skills, disciplines, and what you do with your horse.
- You may combine multiple video clips to make this reel if you wish.
- Use your creativity when editing the video. If music is used, please ensure it is public domain and has no copyright.

****Note:** These videos become property of Miss Rodeo Texas, Inc. (MRTI) once submitted. By entering the pageant, you have given your consent for these and other pictures/videos from the Miss Rodeo Texas Pageant to be used on our social media platforms and/or website.

Miss Rodeo Texas Teen Pageant

Eligibility Requirements *(to be signed as part of the pageant application)*

1. **Age:** I will be between the ages of 14 and 19 on the first day of the MRT Pageant. I will provide a copy of a government issued identification (such as a birth certificate, driver's license, passport, etc.) verifying my age.
2. **U.S. Citizen:** I am a citizen or lawful resident of the United States of America and authorized to work in the United States of America.
3. **Resident of State:** I am a resident of the State of Texas and have been for at least one year by the first day of the current year's Miss Rodeo Texas Pageant.
4. **Education:** I have obtained a high school diploma (or equivalent) or am a current student in good standing and will provide proof thereof upon request.
5. **Gender:** I was assigned female at birth, and I am female.
6. **Marital Status:** I am not currently married, have never been married, nor had a marriage annulled. I will not get engaged during my term as Miss Rodeo Texas Teen.
7. **Parental Status:** I am not a parent of any child and I am not pregnant nor will I become pregnant during my term as Miss Rodeo Texas Teen.
8. **Good Character:** I am of good moral character. I have never committed or been involved in an act of moral turpitude.
9. **No Criminal Record:** I have not been convicted of any felony or misdemeanor crime (excluding minor traffic offenses). I agree to allow MRTI to run a background check.
10. **Health:** I am in good health and I do not have any health concerns which would prevent me from fully participating in this contest or from serving as Miss Rodeo Texas Teen if selected.
11. **Substance Abuse:** I do not use any illegal or controlled substances (other than prescription medications and then only in the manner prescribed).
12. **Contractual Obligations:** I am not under any contractual obligation which would interfere with my ability to participate in this contest or interfere with my ability to perform as Miss Rodeo Texas Teen, if selected.

13. No other Competitions: If selected as Miss Rodeo Texas Teen, I will not compete in any other pageant of any kind during my term.

14. No Other Acts Detrimental to Reputation: I have not engaged in any act, which if made public, would be reasonably likely to cause harm or damage to my reputation or to the goodwill and reputation of Miss Rodeo Texas, Inc. (If I have any concerns about the applicability of this provision, I acknowledge I have been advised to discuss this with the Miss Rodeo Texas State Director prior to signing this form.)

15. Ability to Perform: To the best of my knowledge, there is nothing that will interfere with my ability to compete in this contest or to perform the obligations of Miss Rodeo Texas Teen, if selected.

****Note: Any contestant not meeting the eligibility requirements set forth above shall be denied the right to compete in the Miss Rodeo Texas Teen Pageant.*

Pageant Requirements/Rules

1. Submit official application, including Eligibility Requirements and Participant Release Form, online through the Miss Rodeo Texas website no later than May 1.
2. Have executed all consents, waivers and/or agreements presented as conditions precedent to competition.
3. Submit all other required documentation such as proof of age, proof of residency, latest school transcript, and W-9. Must be submitted online at the same time as the application.
4. Submit a vertical head and shoulder photograph using a plain background no later than May 1. Picture must include hat, and crown if received for the title you are representing. Banner is optional. The photo must be formatted as a 5x7, 300 dpi, jpeg file.
5. Send a photo release at the same time your photo is submitted. May be uploaded on the Miss Rodeo Texas website at the same time as the application and other supporting documents or emailed to MRTPageantDirector@gmail.com.
6. Remit entry fee payment. If paying by credit card online, payment must be made by May 1. If sending a check, it must be postmarked by May 1. The entry fee covers the contestant's meals during the pageant, hotel room, and the publishing of their picture and bio in the program book.

7. Sell a minimum of two (2) pages in advertisements for the official pageant program book. Ad forms, payment, and electronic ads must be received by the specified deadline. See Program Ad section of the Rulebook for additional requirements that must be followed. Contestants will receive 20% back on any amount sold over the required two (2) pages.
8. Sell a minimum of 100 donation tickets. A minimum of \$500 (100 tickets at \$5 each) must be turned-in when contestants check-in on the first day of the Pageant. Returned tickets from the initial 100 tickets sent does not take place of the minimum \$500 requirement.
9. Submit horsemanship videos no later than the specified deadline as shown in the Miss Rodeo Texas Teen Entry Requirement Checklist section of this Rulebook.
10. Be representing a local pageant or local sponsor. (No commercial entries are allowed; example – Miss Rodeo Boot Barn. You can, however, create a title from a local sponsor; example - Miss Rockin R Ranch)
11. Use standard white satin banners with black lettering purchased from Archer Monograms (see Entry Requirements Checklist for more details). Tell them you are competing at the Miss Rodeo Texas Pageant and they will help you order appropriately.
12. Must stay at the host hotel under the supervision of pageant chaperone(s). There will be two contestants per room if there is an even number. If there is an odd number, one contestant may room by themselves, with a Miss contestant, or with an outgoing queen. Room arrangements will be made after all applications are received and room assignments will be given out during registration the first day of the pageant.
13. Must remain under chaperone supervision from the time of registration on day one of the pageant until at least 8AM Saturday morning and no later than 11AM (time subject to change; will be announced at orientation). Prior to departure, chaperones will complete a room check and formally release you. DO NOT leave without being released by your chaperone.
14. Must register at the designated time and location of the host hotel as shown on the pageant schedule posted on the Miss Rodeo Texas website.
15. Ride to-and-from off-site functions in the transportation secured by MRTI for the pageant.
16. No cell phones, smart watches, tablets, or other technology devices are allowed during the pageant. Hotel telephones in contestant rooms will be removed or disabled.

17. Contestants are required to pay their own transportation expenses to and from the Pageant.

18. Judging will take precedence over all other Pageant activities therefore the schedule is subject to change as needed.

****Note: Any contestant not meeting the pageant requirements set forth above shall be denied the right to compete in the Miss Rodeo Texas Teen Pageant.*

Judged Events

1. **Horsemanship:** All horses and tack will be provided for the horsemanship competition. Each contestant will draw two (2) horses to ride; one (1) for rail work and one (1) for the pattern furnished by the Miss Rodeo Texas Pageant. No one will be allowed to ride the same horse in both rounds. Spurs are not allowed. Judges will answer any questions prior to the start of the Horsemanship competition. The required pattern for the horsemanship competition is shown in the Pageant Categories section of this rulebook. Contestants will also be judged on a horsemanship video submission as described in the Pageant Categories section. Banners are not required in the video; crowns are optional but encouraged if you have one for the title you are representing. A minimum of 10 points will be deducted from each judge's score for a broken pattern during the horsemanship competition at the pageant. An example of a broken pattern is turning in the wrong direction or failing to back up. A missed lead is not considered a broken pattern.

2. **Extemporaneous Speech:** Each contestant is required to give an extemporaneous speech. Contestants will be sequestered in order to not give away the speech topics. Each contestant will select ONE (1) of three (3) topics and have ten (10) minutes to prepare and one-and-a-half (1.5) minutes to present the speech. Judging is based on content, delivery and the time allotted for the presentation. Contestants will receive a 30-second warning prior to time expiration and be notified of time expiration. Contestants should stop immediately at the expiration notification or a minimum of 10 points will be deducted from each judge's score.

3. **Extemporaneous Questions:** An array of questions will be asked of each contestant during various pageant functions. Questions may relate to the sport of professional rodeo, agriculture, current events, personality, appearance, horses/horsemanship, and/or anything else deemed appropriate by the Pageant Director and/or Judges.

4. **Interviews:** Contestants will participate in three (3) interviews during the pageant. The horsemanship interview will test the contestant's knowledge on topics such as tack,

horse care, diseases, anatomy, rodeo terminology, the PRCA, the WPRA, and more. The general interview will consist of any non-horsemanship/rodeo questions including but not limited to current events, appearance, personal information related to submitted applications, etc. The group interview will include all contestants in the Teen division and is open to any questions or activities deemed appropriate for a group setting. Interviews will be monitored by pageant staff to ensure the integrity of all involved.

5. **Modeling:** Contestants will model three personal outfits and fashions provided by outside vendors during the fashion show. Detailed information on required outfits is included in the Teen Wardrobe Requirements section.

6. **Photogenics:** Photographs of each contestant will be taken by the official pageant photographer during the pageant then judged for the Photogenic award.

Judging Guidelines

Miss Rodeo Texas Teen is judged in four categories, all of which are equal: Appearance, Personality, and Horsemanship, and Other (Knowledge and Presentation). The scores from contestant's public speaking, interviews, extemporaneous speech, introductions, fashion show presentation, written test, etc., will be added to the appropriate categories.

Judges

1. Judges are selected for their expertise in all fields of the competition.
2. Four judges will judge all categories of the Pageant. All four scores will be totaled for each contestant every time they are judged.
3. All decisions of the judges are final.
4. MRT will institute appropriate standards for judges to ensure that all judges are impartial and have an appropriate level of expertise in all categories.
5. MRT Chairman of the Board and MRT State Director shall have the final decision as to the selection of the judges for the MRT Pageant.

In the event of any dispute concerning the decision of the judges, such dispute shall be settled by the MRTI Executive Board. The review of any dispute shall be limited to determining if the judges acted in good faith, impartially, and in accordance with the applicable rules. If any judge is found to have acted in violation of these rules the MRTI Executive Board, in their discretion, may remove such judge and may take any other remedial action they deem appropriate. All decisions of the MRTI Executive Board are final.

Teen Scoring Criteria

Points will be awarded to contestants in the major categories of Personality (300 total points per judge), Appearance (300 total points per judge), Horsemanship (300 total points per judge) as well as Other which includes knowledge, presentation, and content & delivery (300 total points per judge). Additional points for Photogenic (50 points total) and the Written Test (200 points total) will be awarded.

Point Category	Appearance	Personality	Horsemanship	Other	Event Total by Judge
Event					
Contestant Introduction & Question	20	20		20	60
Luck of the Draw Question	20	20		20	60
Horsemanship Video			25		25
Horsemanship Railwork	30	20	50		100
Horsemanship Pattern		20	100		120
Horsemanship Interview	30	30	100		160
Impromptu Speech	30	30		100	160
Personal Interview	30	60		60	150
Horsemanship/Rodeo Question	20	20	25	10	75
Group Interview	30	30		20	80
Fashion Show	70	30		50	150
Current Event	20	20		20	60
Total Event Points	300	300	300	300	1200*
# of Judges	4	4	4	4	4800
Photogenic					25*
# of Judges				2	50
Written Test					200
Total Overall	1200	1200	1200	1200	5050

* points per judge per contestant

Top Two Finalists and Winners

Prior to the Coronation performance, all scores will be tabulated. The two contestants receiving the highest cumulative scores will be acknowledged as the Top 2 in random order during Coronation. Scores will be wiped clean and each contestant will be ranked one (1) or two (2). The contestant with the most one (1) rankings will be crowned Miss Rodeo Texas Teen. If there are only 3 contestants in the division, all will be acknowledged and answer final questions but only the top two will be considered for the title.

Scoring ties in Appearance, Personality, Horsemanship, Speech, Test and Photogenic will be broken by referring to the highest overall score in Horsemanship. That score will break the tie. If a tie still remains, the horsemanship score of Judge #1 will be used,

then Judge #2, and so on until the tie is broken. A tie for Miss Congeniality will be broken by a second balloting by contestants.

Category and Award Winners

The major category winners - horsemanship, personality, and appearance - shall be determined by the total scores in those categories (as shown in the scoring criteria table above) prior to the beginning of the top two competition during coronation. The subcategory award winners - photogenic, written test, and speech - shall also be determined by the total scores in those categories prior to the beginning of the top two competition during coronation. The subcategory award winner - congeniality - will be awarded to the contestant receiving the most votes from their fellow contestants in the same age division.

Awards and Awards Presentation

Prizes will be awarded to major category and subcategory winners. A complete list of awards given at the pageant is listed in the official MRT Pageant Souvenir Program Book. All prizes awarded to Miss Rodeo Texas Teen or any MRTT Pageant participant, awarded by any party other than MRTI are subject to change without notice. Additionally, any prizes awarded by any third party may be subject to additional eligibility requirements beyond those set forth in these rules.

The scholarship is given on a basis of merit and overall representation of the title. If the titleholder does not comply with the Miss Rodeo Texas Association, Inc. Contract and Scholarship Rules, she will forfeit her scholarship.

All prize winners MUST attend the Awards Distribution on Saturday morning during the specified time shown on the pageant schedule. At this time, contestants will take pictures with their awards, sign documentation from pageant personnel showing the prizes received, and take them home. Prize winners MUST wear their full coronation attire with hair and makeup done appropriately. Should a contestant not attend, or not be dressed as specified, she will automatically forfeit her award(s) and/or scholarship(s).

Pageant Categories

HORSEMANSHIP

The purpose of this judged category is to select the young lady who executes precision in horsemanship including control of mount and the way she handles any situation which may occur, balance and her ability to sit a saddle, positions of hands and feet,

mounting and dismounting, confidence, appearance, and awareness of audience. The contestant's understanding and skill will be judged, not the horse or the equipment. The MRT Pageant will provide the horses and all tack/equipment used during the horsemanship competition. Spurs are not allowed to be used. There will be two go-rounds of horsemanship competition. As in rodeo, there will be a draw for the contestants' order of competition and a draw for each contestant's mount. No contestant will ride the same horse in both go-rounds. The first round will consist of railwork and the second round will consist of completing the required pattern as shown below.

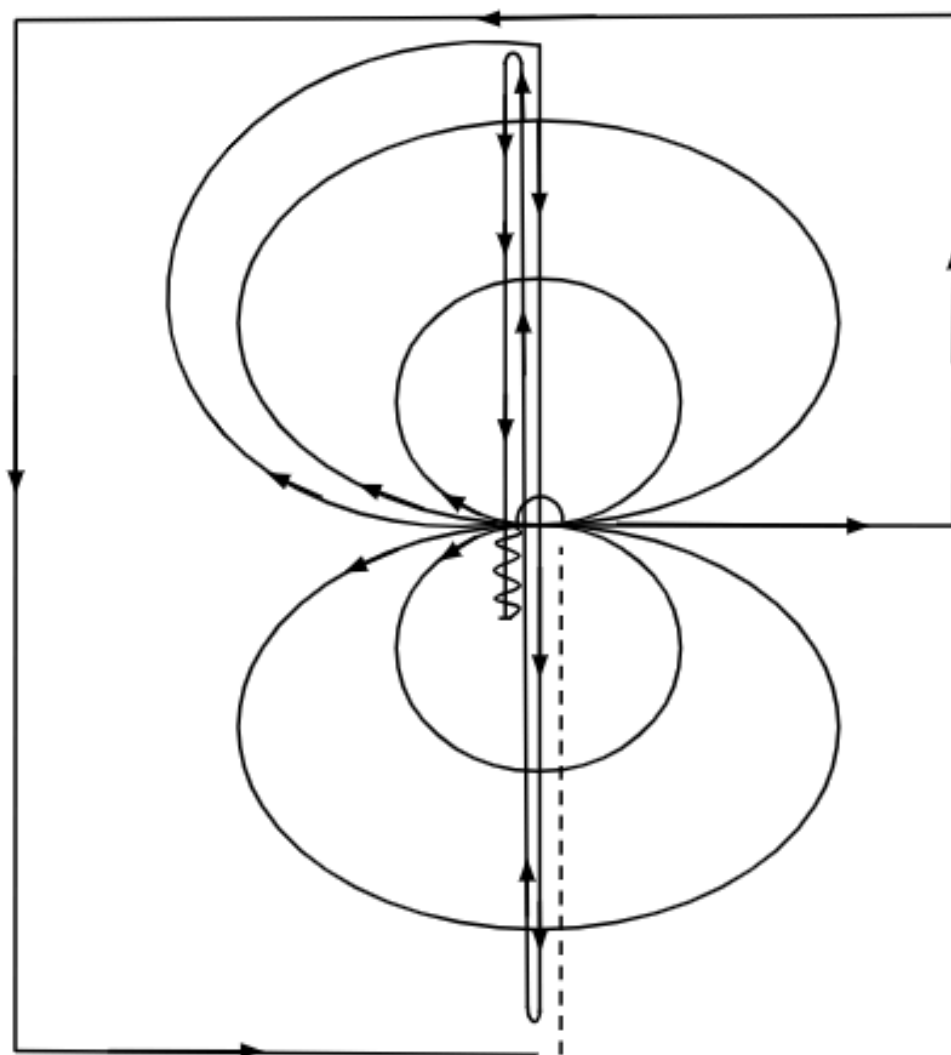
The contestant's overall equitation, poise, confidence, appearance, and position throughout both rounds will be evaluated. Contestants and their advisors who seek additional guidance regarding their horsemanship presentation, are referred to the [AQHA Rulebook](#), Section SHW434 "Presentation and Position of Exhibitor."

The MRT Pageant judges reserve the right to make alterations and/or additions to these instructions. Judges may, at their discretion, deduct points or disqualify from competition any contestant if they see trainers, family members, or friends coaching contestants from the side.

Horsemanship Round 1: For the first round, contestants will be judged during railwork at gaits requested by the judges, as well as maneuvers such as reversing, backing, stopping, etc.

Horsemanship Round 2: For the second round, contestants will complete the horsemanship pattern as illustrated below. At the Judges' discretion, patterns may be altered due to arena conditions. The judges will discuss any and all pattern alterations with the contestants. In addition to executing the prescribed pattern, contestants may also be required to dismount and remount, carry a flag, and/or perform additional maneuvers on horseback. The reigning Miss Rodeo Texas will demonstrate the pattern, including any alterations and additions, prior to the start of the horsemanship competition.

Teen Pattern



1. Trot to center of arena
2. Stop and make a 90 degree turn to the left
3. Begin two figure 8's with flying lead changes. Starting to the left. This first should be small and slow, the second larger and faster.
4. After completing your large fast figure eight continue around to the top of the circle then run down the middle to the far end of the arena and do a right rollback
5. Run up the middle to the opposite end of the arena and do a left rollback
6. Run past the center and come to a stop. Back up to the center of the arena
7. Complete a 270 degree ($\frac{3}{4}$) turn to the right
8. Depart on the left lead and continue around the arena for your queen run/wave.
9. Stop at the gate. Pattern Complete

In addition to the points received from the two rounds of on-site horsemanship, points from the horsemanship video, horsemanship interview, and horsemanship/rodeo impromptu question at a designated time during the pageant will be added to the horsemanship category.

Horsemanship Video: Contestants must complete a freestyle pattern within one-and-a-half minutes using the following elements:

- A. Mount and Dismount
- B. Walk, trot, and lope gaits
- C. Lead change in a figure 8
- D. Stop
- E. Back

This video MAY also be used for judging purposes should there be any unforeseen issues during the on-site horsemanship competition at the Miss Rodeo Texas Teen Pageant.

It is suggested that the pattern be filmed on the outside rail at the midway point of the arena (where judges normally sit/stand).

This video must be submitted by MAY 15th online at www.MissRodeoTexas.com or emailed to MRTPageantDirector@gmail.com. Send in a MOV file labeled as Follows:

- Freestyle Division Contestant's Last Name – *example:* Freestyle Miss Hickok

Horsemanship Interview: An individual six to eight (6-8) minute interview to test the contestant's knowledge on topics such as tack, horse care, diseases, anatomy, rodeo terminology, the PRCA, the WPRA, and more.

Rodeo/Horsemanship Impromptu Question: At a designated time during the pageant, contestants will answer a rodeo or horse related question.

Details for points in this category are shown in the Teen Scoring Criteria section of this rulebook.

PERSONALITY

The purpose of this category is to select the young lady:

1. Whom exudes intelligence, can maintain an educated conversation in rodeo, agriculture, and current events, as well as show a genuine concern and interest in others.
2. Whom radiates self-confidence and can perform under pressure.

3. Whom is sincere and maintains a high moral standard.
4. Whom reflects her personality in her style of attire, her overall appearance, posture, and presence whether it be from horseback in an arena, on television, or before an audience.
5. Whom demonstrates a sense of humor, showmanship, ambition, desire, and enthusiasm, all while maintaining a positive outlook on life.
6. Whom makes following schedules a priority.
7. Whom willingly and politely follows directions and is flexible to make adjustments as necessary.
7. Whom is mindful at public appearances to speak to an audience with facts and interesting information about her hometown, state, title, etc.
8. Whom demonstrates the ability to think on her feet, with a sense of wisdom and imagination.
9. Whom reflects poise, dignity, and professional behavior in every situation.

Details for points in this category are shown in the Teen Scoring Criteria section of this rulebook.

APPEARANCE

The purpose of this category is to select the young lady:

1. Whom takes pride in their appearance through neatness and cleanliness.
2. Whom has the utmost understanding of proper western dress.
3. Whom follows the dress code and wardrobe requirements for the pageant. The penalty for violations will be at the discretion of the judges.
4. Whom is knowledgeable on current trends in western wear manufacturing and Miss Rodeo Texas apparel sponsors.
5. Whom demonstrates versatility and imagination in their wardrobe. It is not necessary to invest in an extensive amount of expensive clothing. Contestants are encouraged to mix-and-match and/or use her fashion show dress for coronation.

Dress Code

1. *Sleeve Length*: No sleeves shorter than three-quarter ($\frac{3}{4}$) length.

2. *Dress/Skirt Length*: Dresses and skirts must be no shorter than three (3) inches above the knee.

3. *Crown*: If a contestant has a crown for the title she is representing at the pageant, she should wear the crown for competition.

4. *Banner*: All contestants must wear a "Title Banner" which the contestant must furnish. Sash(es) must be white satin with black embroidered letters. The banners must be four (4) inches wide and thirty (30) inches long and purchased from Archer Monograms, 4842 W. Moonlake Dr, Meridian, ID 83646. For questions, pricing, and ordering, call (888) 441-3689 or email sales@archermonograms.com. Be sure to tell them it is for the Miss Rodeo Texas Pageant so they will use the correct lettering and set-up. Your check or money order must accompany the order. Please allow four (4) weeks for delivery.

5. *Belt*: All outfits must include a belt.

6. *Cowboy Hat*: All outfits must include a cowboy hat. Your hat should be clean and well-shaped.

7. *Cowboy Boots*: All outfits must include cowboy boots. Your boots should be clean and polished.

Important Notes Regarding Dress Code

- The same outfit may be worn more than once without being penalized by the judges.
- It is not acceptable to wear midriff or low-cut clothing.
- Judges may deduct points if any of the dress code rules are broken.

Dress Code by Event

See [*Miss Rodeo Texas Teen 2025 Pageant Events and Wardrobe Requirements*](#)

Details for points in this category are shown in the Teen Scoring Criteria section of this rulebook.

OTHER (KNOWLEDGE & PRESENTATION)

The purpose of this category is to encompass all aspects of the competition related to knowledge and presentation, with the exception of the horsemanship interview which is counted in the horsemanship category (see scoring criteria table above for details).

Knowledge - Well-studied, understands, and can convey information on rodeo, equine, animal welfare, agriculture, current events, and more. A non-exhaustive list of topics and study materials are included in the Additional Resources section of this rulebook.

Presentation - The ability to handle all situations with poise and presence, preparedness for events, self-control, and confidence while speaking in public and while interacting with others.

Details for points in this category are shown in the Teen Scoring Criteria section of this rulebook.

Teen Entry Requirements Checklist

Entry Deadline – May 1

General Requirements: *Must be submitted AT THE SAME TIME online at www.missrodeotexas.com:*

For the \$500 early bird special entry fee, all items in this section must be received by April 1st.

- _____ 1. Completed application including Eligibility Requirements and Participant Release Form (must be initialed, signed, and uploaded online)
- _____ 2. Proof of residency (examples: driver’s license, school ID, utility bill with name and address)
- _____ 3. Proof of age (examples: birth certificate or driver’s license)
- _____ 4. Latest copy of a school transcript
- _____ 5. W-9 completed and signed by contestant

Entry Fee:

For the \$500 early bird special entry fee, payment must be received by April 1st.

- _____ 6. \$500 if paid by April 1st; \$550 if paid between April 2nd and May 1st – The entry fee includes the contestant’s meals during the pageant, hotel room, and the publishing of their picture and bio in the program book. The entry fee can be mailed or paid online. Online payments include a 3% convenience fee. Mailed checks must be made out to Miss Rodeo Texas, include the contestant’s name and division in the memo line, and be postmarked no later than April 1st for the early bird special or May 1st for the required deadline. Mail payment to Miss Rodeo Texas, 8452 Fredericksburg Rd. #302, San Antonio, TX 78229.

Photo and Photo Release: *Must be submitted AT THE SAME TIME online at www.MissRodeoTexas.com or emailed to MRTPageantDirector@gmail.com.*

These DO NOT have to be received by April 1st for the early bird special.

- _____ 7. Vertical head and shoulder photograph using a plain background – Picture must include a hat, also a crown if you received one for your title. Banner is optional. The photo must be formatted as a 5x7, 300 dpi, jpeg file.
- _____ 8. Photographer release

****Program Ads and Donation Tickets:**

_____ 9. Sell a minimum of two (2) pages in advertisements for the official pageant program book and submit the ad form, money, and electronic ad by the specified deadline. The contestant will receive 20% back on any amount sold over the required two (2) pages. Please see the Program Ad page for more information. Program ad payments can be mailed or paid online. Online payments include a 3% convenience fee. Mailed checks must be made out to Miss Rodeo Texas, include the contestant's name and ad name in the memo line, and be postmarked no later than May 15th. Mail payment to Miss Rodeo Texas, 8452 Fredericksburg Rd. #302, San Antonio, TX 78229.

DEADLINE MAY 15 – NO AD GRAPHICS WILL BE ACCEPTED AFTER THE DEADLINE. PAYMENTS MUST BE MADE ONLINE OR POSTMARKED NO LATER THAN THE DEADLINE. FAILURE TO FOLLOW THESE RULES WILL RESULT IN THE AD NOT COUNTING TOWARD MINIMUM AD REQUIREMENTS AND NOT BEING INCLUDED IN THE PROGRAM BOOK.

_____ 10. Sell a minimum of 100 donation tickets. A minimum of \$500 (100 tickets at \$5 each) must be turned-in when contestants check-in on the first day of the Pageant. Returned tickets from the initial 100 tickets sent does not take place of the minimum \$500 requirement.

****Note:** The TOP SALES AWARD will be determined by the TOTAL money turned-in by each contestant for program book ads and donation tickets combined.

Horsemanship Videos:

These videos must be submitted by MAY 15th online at www.MissRodeoTexas.com or emailed to MRTPageantDirector@gmail.com. Send in separate MOV files labeled as follows:

- Freestyle Division Contestant's Last Name – *example:* Freestyle Miss Hickok
- Highlight Reel Division Contestant's Last Name – *example:* Highlight Reel Teen Woodward

_____ 11. Freestyle Horsemanship Video – Contestants must complete a freestyle pattern within one-and-a-half minutes using the following elements:

- A. Mount and Dismount
- B. Walk, trot, and lope gaits
- C. Lead change in a figure 8
- D. Stop
- E. Back

This video MAY be used for judging purposes should there be any unforeseen issues during the horsemanship competition at the Miss Rodeo Texas Pageant.

It is suggested that the pattern be filmed on the outside rail at the midway point of the arena (where judges normally sit/stand).

_____ 12. Horsemanship Highlight Reel – Contestants must submit a 30-second video of your horsemanship discipline such as western pleasure, barrels, poles, breakaway, cutting, reining, endurance, riding in the pasture, etc.

- Video must be filmed or edited in the vertical format as seen on Instagram Reels.
- This video is for you to highlight your horsemanship skills, disciplines, and what you do with your horse.
- You may combine multiple video clips to make this reel if you wish.
- Use your creativity when editing the video. If music is used, please ensure it is public domain and has no copyright.

****Note:** These videos become property of Miss Rodeo Texas, Inc. (MRTI) once submitted. By entering the pageant, you have given your consent for these and other pictures/videos from the Miss Rodeo Texas Pageant to be used on our social media platforms and/or website.

Miss Rodeo Texas Princess Pageant

Eligibility Requirements *(to be signed as part of the pageant application)*

1. **Age:** I will be between the ages of 9 and 13 on the first day of the MRT Pageant. I will provide a copy of a government issued identification (such as a birth certificate, passport, etc.) verifying my age.
2. **U.S. Citizen:** I am a citizen or lawful resident of the United States of America.
3. **Resident of State:** I am a resident of the State of Texas and have been for at least one year by the first day of the current year's Miss Rodeo Texas Pageant.
4. **Education:** I am a current student in good standing and will provide proof thereof upon request.
5. **Gender:** I was assigned female at birth, and I am female.
6. **Marital Status:** I am not currently married, have never been married, nor had a marriage annulled. I will not get engaged during my term as Miss Rodeo Texas Princess.
7. **Parental Status:** I am not a parent of any child and I am not pregnant nor will I become pregnant during my term as Miss Rodeo Texas Princess.
8. **Good Character:** I am of good moral character. I have never committed or been involved in an act of moral turpitude.
9. **No Criminal Record:** I have not been convicted of any felony or misdemeanor crime (excluding minor traffic offenses). I agree to allow MRTI to run a background check.
10. **Health:** I am in good health and I do not have any health concerns which would prevent me from fully participating in this contest or from serving as Miss Rodeo Texas Princess if selected.
11. **Substance Abuse:** I do not use any illegal or controlled substances (other than prescription medications and then only in the manner prescribed).
12. **Contractual Obligations:** I am not under any contractual obligation which would interfere with my ability to participate in this contest or interfere with my ability to perform as Miss Rodeo Texas Princess, if selected.

13. No other Competitions: If selected as Miss Rodeo Texas Princess, I will not compete in any other pageant of any kind during my term.

14. No Other Acts Detrimental to Reputation: I have not engaged in any act, which if made public, would be reasonably likely to cause harm or damage to my reputation or to the goodwill and reputation of Miss Rodeo Texas, Inc. (If I have any concerns about the applicability of this provision, I acknowledge I have been advised to discuss this with the Miss Rodeo Texas State Director prior to signing this form.)

15. Ability to Perform: To the best of my knowledge, there is nothing that will interfere with my ability to compete in this contest or to perform the obligations of Miss Rodeo Texas Princess, if selected.

****Note: Any contestant not meeting the eligibility requirements set forth above shall be denied the right to compete in the Miss Rodeo Texas Princess Pageant.*

Pageant Requirements/Rules

1. Submit official application, including Eligibility Requirements and Participant Release Form, online through the Miss Rodeo Texas website no later than May 1.

2. Have executed all consents, waivers and/or agreements presented as conditions precedent to competition.

3. Submit all other required documentation such as proof of age, proof of residency, latest school transcript, and W-9. Must be submitted online at the same time as the application.

4. Submit a vertical head and shoulder photograph using a plain background no later than May 1. Picture must include cowboy hat, and crown if received for the title you are representing. Banner is optional. The photo must be formatted as a 5x7, 300 dpi, jpeg file.

5. Send a photo release at the same time your photo is submitted. May be uploaded on the Miss Rodeo Texas website at the same time as the application and other supporting documents or emailed to MRTPageantDirector@gmail.com.

6. Remit entry fee payment. If paying by credit card online, payment must be made by May 1. If sending a check, it must be postmarked by May 1. The entry fee covers the contestant's meals during the pageant, hotel room, and the publishing of their picture and bio in the program book.

7. Sell a minimum of two (2) pages in advertisements for the official pageant program book. Ad forms, payment, and electronic ads must be received by the specified deadline. See Program Ad section of the Rulebook for additional requirements that must be followed. Contestants will receive 20% back on any amount sold over the required two (2) pages.
8. Sell a minimum of 100 donation tickets. A minimum of \$500 (100 tickets at \$5 each) must be turned-in when contestants check-in on the first day of the Pageant. Returned tickets from the initial 100 tickets sent does not take place of the minimum \$500 requirement.
9. Submit horsemanship video no later than the specified deadline as shown in the Miss Rodeo Texas Princess Entry Requirement Checklist section of this Rulebook.
10. Be representing a local pageant or local sponsor. (No commercial entries are allowed; example – Miss Rodeo Boot Barn. You can, however, create a title from a local sponsor; example - Miss Rockin R Ranch)
11. Use standard white satin banners with black lettering purchased from Archer Monograms (see Entry Requirements Checklist for more details). Tell them you are competing at the Miss Rodeo Texas Pageant and they will help you order appropriately.
12. The Princess contestants will follow the same schedule and check-in and depart just as the Miss and Teen contestants. Contestants must register in the lobby of the hotel at the designated time on the pageant schedule.
13. While competing, the Princess contestants will be seated together and be supervised by the pageant chaperone(s) and/or designated person. After the Miss Rodeo Texas Princess Coronation, the contestants will be brought to the ballroom/auditorium so that they may sit together to watch the Miss and Teen Coronations. Parents are asked not to approach their daughters until authorized by pageant personnel.
14. Princess contestants will be under the supervision of their parents when not competing. We strongly recommend that you stay at the host hotel. Rooms will go fast, and we suggest that you make your reservations early. To receive the negotiated rate, please inform the hotel that you will be there for the Miss Rodeo Texas Pageant.
15. Unless otherwise stated at orientation, parents are responsible for transporting their daughters to functions off the hotel premises and for getting them there on time.
16. Must register at the designated time and location of the host hotel as shown on the pageant schedule posted on the Miss Rodeo Texas website.

17. Contestants are not allowed to have cell phones, smart watches, tablets, or other technology devices during the pageant.

18. Contestants are required to pay their own transportation expenses to and from the Pageant.

19. Judging will take precedence over all other Pageant activities therefore the schedule is subject to change as needed.

****Note: Any contestant not meeting the pageant requirements set forth above shall be denied the right to compete in the Miss Rodeo Texas Princess Pageant.*

Judged Events

1. **Horsemanship:** Princess Contestants will submit a video of their introduction and horsemanship pattern for judging. The required pattern for the horsemanship competition is shown in the Princess Pageant Categories section of this rulebook. Banners are not required in the video; crowns are optional but encouraged if you have one for the title you are representing. A minimum of 10 points will be deducted from each judge's score for a broken pattern. An example of a broken pattern is turning in the wrong direction or failing to back up. A missed lead is not considered a broken pattern.

2. **Speech/Public Speaking:** Contestants will give a two (2) minute memorized speech on Texas, their hometown, or rodeo they represent. Judging is based on content, delivery, poise, professionalism, and the allotted time for the presentation. Contestants will receive a 30-second warning prior to time expiration and be notified of time expiration. Contestants should stop immediately at the expiration notification or a 10-point penalty per judge will be imposed.

3. **Questions:** An array of questions will be asked of each contestant during various pageant functions. Questions may relate to the sport of professional rodeo, agriculture, current events, personality, appearance, horses/horsemanship, and/or anything else deemed appropriate by the Pageant Director and/or Judges.

4. **Interviews:** Contestants will participate in three (3) interviews during the pageant. The horsemanship interview will test the contestant's knowledge on topics such as tack, horse care, diseases, anatomy, rodeo terminology, the PRCA, the WPRA, and more. The general interview will consist of any non-horsemanship/rodeo questions including but not limited to current events, appearance, personal information related to submitted applications, etc. The group interview will include all contestants in the Princess division

and is open to any questions or activities deemed appropriate for a group setting. Interviews will be monitored by pageant staff to ensure the integrity of all involved.

5. **Modeling:** Contestants will model accessories and/or fashions provided by outside vendors during the fashion show, in addition to their own outfit. Detailed information on required attire is included in the Princess Wardrobe Requirements section.

6. **Photogenics:** Photographs of each contestant will be taken by the official pageant photographer during the pageant then judged for the Photogenic award.

Judging Guidelines

Miss Rodeo Texas Princess is judged in four categories, all of which are equal: Appearance, Personality, and Horsemanship, and Other (Knowledge and Presentation). The scores from contestant's public speaking, interviews, extemporaneous speech, introductions, fashion show presentation, written test, etc., will be added to the appropriate categories.

Judges

1. Judges are selected for their expertise in all fields of the competition.
2. Four judges will judge all categories of the Pageant. All four scores will be totaled for each contestant every time they are judged.
3. All decisions of the judges are final.
4. MRT will institute appropriate standards for judges to ensure that all judges are impartial and have an appropriate level of expertise in all categories.
5. MRT Chairman of the Board and MRT State Director shall have the final decision as to the selection of the judges for the MRT Pageant.

In the event of any dispute concerning the decision of the judges, such dispute shall be settled by the MRTI Executive Board. The review of any dispute shall be limited to determining if the judges acted in good faith, impartially, and in accordance with the applicable rules. If any judge is found to have acted in violation of these rules the MRTI Executive Board, in their discretion, may remove such judge and may take any other remedial action they deem appropriate. All decisions of the MRTI Executive Board are final.

Princess Scoring Criteria

Points will be awarded to contestants in the major categories of Personality (300 total points per judge), Appearance (300 total points per judge), Horsemanship (300 total

points per judge) as well as Other which includes knowledge, presentation, and content & delivery (300 total points per judge). Additional points for Photogenic (50 points total) and the Written Test (100 points total) will be awarded.

Point Category	Appearance	Personality	Horsemanship	Other	Event Total by Judge
Event					
Contestant Introduction & Question	20	20		20	60
Luck of the Draw Question	20	20		20	60
Horsemanship Video	30	30	175		235
Horsemanship Interview	30	30	100		160
Speech	30	30		100	160
Personal Interview	30	60		60	150
Horsemanship/Rodeo Question	20	20	25	10	75
Group Interview	30	30		20	80
Fashion Show	70	40		50	160
Current Event	20	20		20	60
Total Event Points	300	300	300	300	1200*
# of Judges	4	4	4	4	4800
Photogenic					25*
# of Judges				2	50
Written Test					100
Total Overall	1200	1200	1200	1200	4950

* points per judge per contestant

Top Two Finalists and Winners

Prior to the Coronation performance, all scores will be tabulated. The two contestants receiving the highest cumulative scores will be acknowledged as the Top 2 in random order during Coronation. Scores will be wiped clean and each contestant will be ranked one (1) or two (2). The contestant with the most one (1) rankings will be crowned Miss Rodeo Texas Princess. If there are only 3 contestants in the division, all will be acknowledged and answer final questions but only the top two will be considered for the title.

Scoring ties in Appearance, Personality, Horsemanship, Speech, Test and Photogenic will be broken by referring to the highest overall score in Horsemanship. That score will break the tie. If a tie still remains, the horsemanship score of Judge #1 will be used, then Judge #2, and so on until the tie is broken. A tie for Miss Congeniality will be broken by a second balloting by contestants.

Category and Award Winners

The major category winners - horsemanship, personality, and appearance - shall be determined by the total scores in those categories (as shown in the scoring criteria table above) prior to the beginning of the top two competition during coronation. The subcategory award winners - photogenic, written test, and speech - shall also be determined by the total scores in those categories prior to the beginning of the top two competition during coronation. The subcategory award winner - congeniality - will be awarded to the contestant receiving the most votes from their fellow contestants in the same age division.

Awards and Awards Presentation

Prizes will be awarded to major category and subcategory winners. A complete list of awards given at the pageant is listed in the official MRT Pageant Souvenir Program Book. All prizes awarded to Miss Rodeo Texas Princess or any MRTP Pageant participant, awarded by any party other than MRTI are subject to change without notice. Additionally, any prizes awarded by any third party may be subject to additional eligibility requirements beyond those set forth in these rules.

The scholarship is given on a basis of merit and overall representation of the title. If the titleholder does not comply with the Miss Rodeo Texas Association, Inc. Contract and Scholarship Rules, she will forfeit her scholarship.

All prize winners MUST attend the Awards Distribution on Saturday morning during the specified time shown on the pageant schedule. At this time, contestants will take pictures with their awards, sign documentation from pageant personnel showing the prizes received, and take them home. Prize winners MUST wear their full coronation attire with hair and makeup done appropriately. Should a contestant not attend, or not be dressed as specified, she will automatically forfeit her award(s) and/or scholarship(s).

Pageant Categories

HORSEMANSHIP

The purpose of this judged category is to select the young lady who executes precision in horsemanship including control of mount and the way she handles any situation which may occur, balance and her ability to sit a saddle, positions of hands and feet, confidence, appearance, and awareness of the audience. The contestant's understanding and skill will be judged, not the horse or the equipment.

Due to safety concerns of younger contestants riding horses they have not been on before, the Princess Horsemanship pattern will be judged from a video submission. Princess contestants are still required to attend the Horsemanship competition at the Miss Rodeo Texas Pageant to learn what is expected in later years for the Teen and Miss divisions.

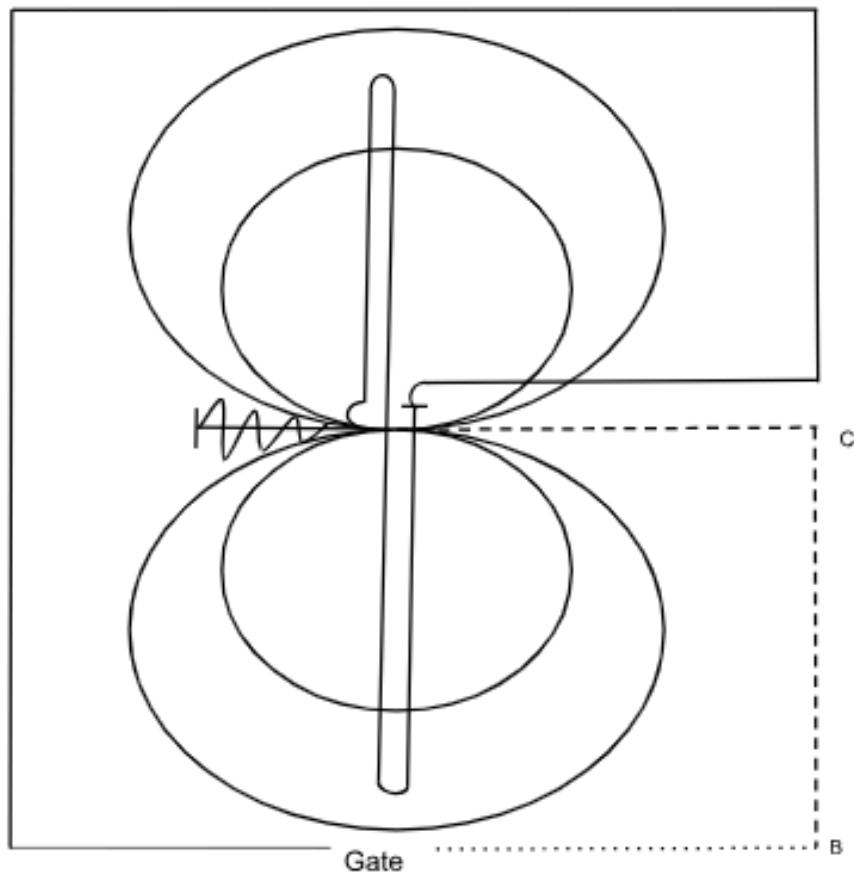
The contestant's overall equitation, poise, confidence, appearance, and position will be evaluated. Contestants and their advisors who seek additional guidance regarding their horsemanship presentation, are referred to the [AQHA Rulebook](#), Section SHW434 "Presentation and Position of Exhibitor."

Judges may, at their discretion, deduct points or disqualify from competition any contestant if they see trainers, family members, or friends coaching contestants from the side.

Horsemanship Video: This will be the judged portion of the Princess Horsemanship pattern. The video must be no longer than two-and-a-half (2.5) minutes. The contestant should begin by standing on the ground, holding her horse and introducing herself and her title. Then she should perform the Princess pattern below. Mounting and dismounting are not required. (Please Keep in mind that you can tape as many times as needed to make the pattern perfect.)

This video must be emailed to MRTPageantDirector@gmail.com by June 15th. Send as a MOV file labeled as follows: Horsemanship Division Contestant's Last Name – example: Horsemanship Princess Hickok.

Princess Pattern



1. Enter gate at a walk and proceed to point B.
2. Begin at a trot to point C.
3. At point C Complete a 90 degree turn to the left at a trot and continue to the center of the arena.
4. Once at the center of the arena begin two figure 8's with flying lead changes. Starting to the right. This first should be small and slow, the second larger and faster.
5. Upon completion of the final figure 8, continue through the center (approximately 3 or 4 strides) and stop.
6. Back to the center of the arena.
7. Settle your horse, then do a 90 degree turn to the right
8. Start your run down, stop and roll back to the right,
9. After rolling back, run down on the right lead to the far end of the arena, come to a stop and roll back to the left.
10. Run down past the center of the arena on the left lead.
11. Stop, settle your horse
12. Do a 90 degree turn to the right and depart on the left lead and continue around the arena doing your presentation run.
13. Stop at the gate
14. Pattern Complete

In addition to the points received from the submitted horsemanship video, points from the horsemanship interview and horsemanship/rodeo impromptu question at a designated time during the pageant will be added to the horsemanship category.

Horsemanship Interview: An individual five to six (5-6) minute interview to test the contestant's knowledge on topics such as tack, horse care, diseases, anatomy, rodeo terminology, the PRCA, the WPRA, and more.

Rodeo/Horsemanship Impromptu Question: At a designated time during the pageant, contestants will answer a rodeo or horse related question.

Details for points in this category are shown in the Princess Scoring Criteria section of this rulebook.

PERSONALITY

The purpose of this category is to select the young lady:

1. Whom exudes intelligence, can maintain an educated conversation in rodeo, agriculture, and current events, as well as show a genuine concern and interest in others.
2. Whom radiates self-confidence and can perform under pressure.
3. Whom is sincere and maintains a high moral standard.
4. Whom reflects her personality in her style of attire, her overall appearance, posture, and presence whether it be from horseback in an arena, on television, or before an audience.
5. Whom demonstrates a sense of humor, showmanship, ambition, desire, and enthusiasm, all while maintaining a positive outlook on life.
6. Whom makes following schedules a priority.
7. Whom willingly and politely follows directions and is flexible to make adjustments as necessary.
7. Whom is mindful at public appearances to speak to an audience with facts and interesting information about her hometown, state, title, etc.
8. Whom demonstrates the ability to think on her feet, with a sense of wisdom and imagination.
9. Whom reflects poise, dignity, and professional behavior in every situation.

Details for points in this category are shown in the Princess Scoring Criteria section of this rulebook.

APPEARANCE

The purpose of this category is to select the young lady:

1. Whom takes pride in their appearance through neatness and cleanliness.
2. Whom has the utmost understanding of proper western dress.
3. Whom follows the dress code and wardrobe requirements for the pageant. The penalty for violations will be at the discretion of the judges.
4. Whom is knowledgeable on current trends in western wear manufacturing and Miss Rodeo Texas apparel sponsors.
5. Whom demonstrates versatility and imagination in their wardrobe. It is not necessary to invest in an extensive amount of expensive clothing. Contestants are encouraged to mix-and-match and/or use her fashion show dress for coronation.

Dress Code

1. *Sleeve Length:* No sleeves shorter than three-quarter ($\frac{3}{4}$) length.
2. *Dress/Skirt Length:* Dresses and skirts must be no shorter than three (3) inches above the knee.
3. *Crown:* If a contestant has a crown for the title she is representing at the pageant, she should wear the crown for competition.
4. *Banner:* All contestants must wear a "Title Banner" which the contestant must furnish. Sash(es) must be white satin with black embroidered letters. The banners must be four (4) inches wide and thirty (30) inches long and purchased from Archer Monograms, 4842 W. Moonlake Dr, Meridian, ID 83646. For questions, pricing, and ordering, call (888) 441-3689 or email sales@archermonograms.com. Be sure to tell them it is for the Miss Rodeo Texas Pageant so they will use the correct lettering and set-up. Your check or money order must accompany the order. Please allow four (4) weeks for delivery.
5. *Belt:* All outfits must include a belt.
6. *Cowboy Hat:* All outfits must include a cowboy hat. Your hat should be clean and well-shaped.
7. *Cowboy Boots:* All outfits must include cowboy boots. Your boots should be clean and polished.

Important Notes Regarding Dress Code

- The same outfit may be worn more than once without being penalized by the judges.
- It is not acceptable to wear midriff or low-cut clothing.
- Judges may deduct points if any of the dress code rules are broken.

Dress Code by Event

See **Miss Rodeo Texas Princess 2025 Pageant Events and Wardrobe Requirements - coming soon**

Details for points in this category are shown in the Princess Scoring Criteria section of this rulebook.

OTHER (KNOWLEDGE & PRESENTATION)

The purpose of this category is to encompass all aspects of the competition related to knowledge and presentation, with the exception of the horsemanship interview which is counted in the horsemanship category (see scoring criteria table above for details).

Knowledge - Well-studied, understands, and can convey information on rodeo, equine, animal welfare, agriculture, current events, and more. A non-exhaustive list of topics and study materials are included in the Additional Resources section of this rulebook.

Presentation - The ability to handle all situations with poise and presence, preparedness for events, self-control, and confidence while speaking in public and while interacting with others.

Details for points in this category are shown in the Princess Scoring Criteria section of this rulebook.

Princess Entry Requirements Checklist

Entry Deadline – May 1

General Requirements: Must be submitted AT THE SAME TIME online at www.missrodetexas.com:

For the \$250 early bird special entry fee, all items in this section must be received by April 1st.

- _____ 1. Completed application including Eligibility Requirements and Participant Release Form (must be initialed, signed, and uploaded online)
- _____ 2. Proof of residency (examples: driver's license, school ID, utility bill with name and address)

- _____ 3. Proof of age (examples: birth certificate or driver's license)
- _____ 4. Latest copy of a school transcript
- _____ 5. W-9 completed and signed by contestant

Entry Fee:

For the \$250 early bird special entry fee, payment must be received by April 1st.

- _____ 6. \$250 if paid by April 1st; \$300 if paid between April 2nd and May 1st – The entry fee includes the contestant's meals during the pageant and the publishing of their picture and bio in the program book. The entry fee can be mailed or paid online. Online payments include a 3% convenience fee. Mailed checks must be made out to Miss Rodeo Texas, include the contestant's name and division in the memo line, and be postmarked no later than April 1st for the early bird special or May 1st for the required deadline. Mail payment to Miss Rodeo Texas, 8452 Fredericksburg Rd. #302, San Antonio, TX 78229.

Photo and Photo Release: Must be submitted AT THE SAME TIME online at www.MissRodeoTexas.com or emailed to MRTPageantDirector@gmail.com.

These DO NOT have to be received by April 1st for the early bird special.

- _____ 7. Vertical head and shoulder photograph using a plain background – Picture must include hat, also a crown if you received one for your title. Banner is optional. The photo must be formatted as a 5x7, 300 dpi, jpeg file.
- _____ 8. Photographer release

****Program Ads and Donation Tickets:**

- _____ 9. Sell a minimum of two (2) pages in advertisements for the official pageant program book and submit the ad form, money, and electronic ad by the specified deadline. The contestant will receive 20% back on any amount sold over the required two (2) pages. Please see Program Ad page for more information. Program ad payments can be mailed or paid online. Online payments include a 3% convenience fee. Mailed checks must be made out to Miss Rodeo Texas, include the contestant's name and ad name in the memo line, and be postmarked no later than May 15th. Mail payment to Miss Rodeo Texas, 8452 Fredericksburg Rd. #302, San Antonio, TX 78229.

DEADLINE MAY 15 – NO AD GRAPHICS WILL BE ACCEPTED AFTER THE DEADLINE. PAYMENTS MUST BE MADE ONLINE OR POSTMARKED NO LATER THAN THE DEADLINE. FAILURE TO FOLLOW THESE RULES WILL RESULT IN THE AD NOT COUNTING TOWARD MINIMUM AD REQUIREMENTS AND NOT BEING INCLUDED IN THE PROGRAM BOOK.

- _____ 10. Sell a minimum of 100 donation tickets. A minimum of \$500 (100 tickets at \$5 each) must be turned-in when contestants check-in on the first day of the

Pageant. Returned tickets from the initial 100 tickets sent does not take place of the minimum \$500 requirement.

Note: The TOP SALES AWARD will be determined by the TOTAL money turned-in by each contestant for program book ads and donation tickets combined.

Horsemanship Videos:

_____ 11. Horsemanship Highlight Reel – Contestants must submit a 30-second video of your horsemanship discipline such as western pleasure, barrels, poles, breakaway, cutting, reining, endurance, riding in the pasture, etc.

- Video must be filmed or edited in the vertical format as seen on Instagram Reels.
- This video is for you to highlight your horsemanship skills, disciplines, and what you do with your horse.
- You may combine multiple video clips to make this reel if you wish.
- Use your creativity when editing the video. If music is used, please ensure it is public domain and has no copyright.

This video must be submitted by MAY 15th online at www.MissRodeoTexas.com or emailed to MRTPageantDirector@gmail.com. Send as a MOV file labeled as follows: Highlight Reel Division Contestant's Last Name – example: Highlight Reel Princess Woodward.

_____ 12. Horsemanship Video – This will be the judged portion of the Princess Horsemanship pattern due to safety concerns of younger contestants riding horses they have not been on before. Princess contestants are still required to attend the Horsemanship competition at the Miss Rodeo Texas Pageant to learn what is expected in later years for the Teen and Miss divisions.

Video Requirements:

- A. Maximum length of two-and-a-half (2.5) minutes
- B. Contestant standing on the ground holding her horse while saying her name and title (it is not necessary to video the contestant getting on her horse)
- C. Specified pattern
- D. Presentation Run

Note: You may tape as many times as needed to get the pattern perfect. It is suggested that the pattern be filmed on the outside rail at the midway point of the arena (where judges normally sit/stand).

This video must be emailed to MRTPageantDirector@gmail.com by June 15th. Send as a MOV file labeled as follows: Horsemanship Division Contestant's Last Name – example: Horsemanship Princess Hickok.

****Note:** These videos become property of Miss Rodeo Texas, Inc. (MRTI) once submitted. By entering the pageant, you have given your consent for these and other pictures/videos from the Miss Rodeo Texas Pageant to be used on our social media platforms and/or website.

Program Book Ads

Souvenir Program Book Ad Requirements

DEADLINE MAY 15 – NO AD GRAPHICS WILL BE ACCEPTED AFTER THE DEADLINE. PAYMENTS MUST BE MADE ONLINE OR POSTMARKED NO LATER THAN THE DEADLINE. FAILURE TO FOLLOW THESE RULES WILL RESULT IN THE AD NOT COUNTING TOWARD MINIMUM AD REQUIREMENTS AND NOT BEING INCLUDED IN THE PROGRAM BOOK.

SUBMISSION GUIDELINES – MUST be followed by contestants, businesses, and/or individuals submitting ads.

FILE NAMING - Name files using the following method – Division Contestant Last Name Ad Size Ad Name

Division Naming: Miss, Teen, or Princess

Ad Size Naming: See table to the right

Ad Naming: Company or name of person submitting ad
(must match what is entered on the submission form online)

Example: Miss Bendele HH Capital Farm Credit

SIZE NAMING	CODE
Inside Front Cover – Miss	IFCM
Inside Front Cover – Teen	IFCT
Full Page – Color	Color
Full Page – Black & White	Full
Half Page – Horizontal	HH
Half Page – Vertical	HV
Quarter Page	Qtr
Business Card	BC

FILE TYPE - PDF, jpeg, tiff, or eps

RESOLUTION - Minimum of 300dpi (lower resolution files will not print clearly; Miss Rodeo Texas, Inc. is not responsible for print quality of low-resolution submissions)

SIZE – Files must be formatted using the sizes [shown here](#) or they will not layout properly in the program book (Miss Rodeo Texas, Inc. will use what is submitted; ads will not be resized).

PROGRAM AD SUBMISSION FORM – Each program ad submitted MUST have a corresponding Program Ad Submission Form which MUST be completed online at www.missrodeotexas.com/programads.

GRAPHIC SUBMISSION – Submit graphic files online at www.missrodeotexas.com/programads when submitting the Program Ad Submission Form **OR** email to brandybendele@yahoo.com.

PAY ELECTRONICALLY – <http://missrodeotexas.corecommerce.com/program-ads> (online payments will include a 3% convenience fee)

(the notes section on the payment screen must include the name of person purchasing the ad as submitted on the online ad form and the name of the contestant receiving credit for the ad)

OR

PAY BY CHECK - PAYABLE TO: Miss Rodeo Texas (memo line must include the name of person purchasing the ad as submitted on the online ad form and the name of the contestant)

receiving credit for the ad) Mail to: 8452 Fredericksburg Rd #302, San Antonio, TX 78229

QUESTIONS – Contact Brandy Bendele at brandybendele@yahoo.com or call/text 830-423-4088

Family and Guests

1. Family and guests are strongly encouraged to stay at the host hotel; however, the rooms will go fast, and we suggest that you make your reservations early. See details on the Miss Rodeo Texas website, along with the link to secure rooms.
2. Family and guests are welcome to attend all “Open” functions, such as horsemanship, morning sessions, luncheons, Fashion Show, and Coronation. All tickets, with the exception of Coronation **MUST** be purchased on the Miss Rodeo Texas website by the specified deadline (typically one week prior to the pageant). Horsemanship does not require a ticket. All tickets must be picked up in the Family Hospitality Room at the host hotel. The location will be listed in the schedule on the website.
4. Once the pageant begins, contestants cannot communicate with family, friends, or guests unless authorized by the chaperones, MRTI State Director, MRTI State Coordinator, or MRTI Pageant Director. This rule also applies to Princess contestants during pageant events.
5. All gifts, letters, flowers, clothes, etc. must be taken to the front desk of the hotel and they will notify a pageant official to pick it up and deliver it to the contestant.
6. Video or recording equipment and photography equipment of any kind will not be allowed at pageant functions, except by authorized pageant officials and the official pageant photographer/videographer team(s). Unauthorized equipment is subject to temporary confiscation.
7. No photos or videos of contestants may be posted on social media by anyone during the Pageant except the official Pageant photographer/videographer and Miss Rodeo Texas Media Director and/or appointees. This includes Princess contestants, parents, family, friends, etc.
8. Except for designated activities outlined in Orientation, Princess parents/guardians are responsible for arranging transportation for their contestant.
9. No responsibility will be assumed by MRTI for the transportation of princess contestants, family, and/or guests for pageant functions.

10. Judging will take precedence over all other Pageant activities therefore the schedule is subject to change as needed.

Expectations of Titleholders

Expectations of titleholders are shown in the following documents:

[Miss Rodeo Texas Titleholder Handbook 2025](#)

Miss Rodeo Texas Teen Titleholder Handbook 2025 - coming soon

Miss Rodeo Texas Princess Titleholder Handbook 2025 - coming soon

Loss of Title & Benefits

Subsequent to the Miss Rodeo Texas Pageant, any person being awarded the title and/or otherwise becoming the successor thereto, shall not:

1. Be found to not meet eligibility requirements.
2. Become married and/or pregnant.
3. Be charged with and/or determined to have committed any crime of moral turpitude.
4. Compete in and/or otherwise participate in any other beauty and/or talent contest, pageant and/or activity.
5. Solicit, negotiate or contract with any third person for appearance photographs, interviews, sponsorships and/or endorsements, during the year of her reign.
6. Have taken any actions, which in the good faith determination of the Executive Board of MRTI, will or is reasonably likely to cause harm or damage to the goodwill or reputation of MRT, MRTT, or MRTP.
7. Violate any provisions of Pageant Rules and Regulations or Contract.

[Miss Rodeo Texas](#)

Miss Rodeo Texas Teen - coming soon

Miss Rodeo Texas Princess - coming soon

Upon the occurrence of any of the above events, the Title, together with any and all benefits derived by such person, may be forfeited and awarded to the next qualified Runner-up at the discretion of the MRT Board of Directors.

Grievance Policies

PAGEANT GRIEVANCE

Any complaint that is filed in regard to state pageant issues must adhere to the following:

1. Grievances must be submitted no later than 10AM on the day of coronation.
2. All grievances must be submitted in writing, signed and dated, or they will not be accepted.
3. Grievances must include the name, address and daytime phone number of the person filing the complaint. Anonymous complaints will not be accepted or reviewed.
4. The grievance must include as much detail about the subject as possible in order for appropriate action to be taken (i.e. dates, times, locations, parties involved, etc.).
5. Grievances must be submitted directly to the MRT Pageant Director, MRT State Director, or MRT Grievance Team representative.
6. If a response to the complaint is desired, the letter must indicate so.
7. Any complaints that do not follow the above process will be classified as invalid.

MRTI Action:

1. Grievances will be reviewed and investigated by the Grievance Team named at Orientation on the first day of the pageant. The Grievance Team will consist of one MRT representative and one parent.
2. Findings will be reported back to the MRTI Board of Directors.
3. The MRTI Board of Directors will vote and determine necessary action to be taken.
4. An MRTI Board representative will report back to all parties.
5. A written response and/or decision will be sent to all parties.
6. All grievances will be addressed and responded to by the MRTI Board of Directors within ten (10) business days of the initial date the grievance was received.

7. The MRTI Board of Directors has the right to extend the ten (10) day period if further examination is necessary. They will advise all parties in writing if this is necessary.

GENERAL GRIEVANCE

Any non-pageant complaint that is filed in regard to Miss Rodeo Texas Association, Inc. must adhere to the following:

1. Grievances must be submitted no later than 5 days after the grievance issue occurred.
2. All grievances must be submitted in writing, signed and dated, or they will not be accepted.
3. Grievances must include the name, address and daytime phone number of the person filing the complaint. Anonymous complaints will not be accepted or reviewed.
4. The grievance must include as much detail about the subject as possible in order for appropriate action to be taken (i.e. dates, times, locations, parties involved, etc.).
4. Grievances must be submitted electronically to: MRTPageantDirector@gmail.com

In addition, please send a hard copy to:
Miss Rodeo Texas Association, Inc.
8452 Fredericksburg Rd. #302
San Antonio, TX 78229

Addressed to any of the following:

- Miss Rodeo Texas Association, Inc. Executive Board
- Miss Rodeo Texas Association, Inc. Chairman of the Board
- Miss Rodeo Texas Association, Inc. Board of Directors

5. If a response to the complaint is desired, the letter must indicate so.
6. Any complaints that do not follow the above process will be classified as invalid.

MRTI Action:

1. All complaints will be reviewed by the MRTI Board of Directors.
2. A MRTI Board member will be assigned to research and gather information about the situation.
3. All parties involved will be notified about the complaint and given the opportunity to provide a response in writing within an established timeframe.

4. Findings will be reported back to the MRTI Board of Directors.
5. The MRTI Board of Directors will vote and determine necessary action to be taken.
6. A MRTI Board representative will report back to all parties.
7. A written decision will be sent to all parties, signed and dated by the MRTI Board of Director representative assigned to the grievance.
8. All grievances will be addressed and responded to by the MRTI Board of Directors within ten (10) business days of the initial date the grievance was received.
9. The MRTI Board of Directors has the right to extend the ten (10) day period if further examination is necessary. They will advise all parties in writing if this is necessary.

Study Resources

Miss Rodeo Texas Association, Inc. - www.missrodeotexas.com

Sponsors

Board of Directors

Formers

MRTI Social Media - Facebook, Instagram

Miss Rodeo America, Inc. - www.missrodeoamerica.com

Professional Rodeo Cowboys Association - www.prorodeo.com

[Mission](#)

[Membership](#)

[PRCA Rule Book](#)

[Standings](#)

[News](#)

[Sponsors](#)

[Leadership](#)

[Tours](#)

[National Finals Rodeo](#)

[Patch Program](#)

[Livestock Welfare](#) and [Rules](#)

[Rodeo 101](#)

[Rodeo Terminology](#)

[Rodeo Equipment](#)

[PRCA Commitment](#)

Media Guide - PRCA History, Notables, etc.

PRCA Social Media Outlets

[Youth Camps](#)

Women's Professional Rodeo Association - www.wpra.com

[WPRA Rule Book](#)

American Quarter Horse Association - www.aqha.com

Equine

Anatomy

Ailments

Tack

Current Events

Social Matters - social media, education, etc.

Politics

[U.S. News](#)

[World News](#)

Texas

[Texas Proud](#)

[Texas Government](#)